

# POC

design Johanna Lindgren & Helen Högberg for Dark



DESIGN PLUS 2006

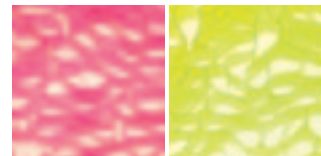


POC - white fabrics

## BODY

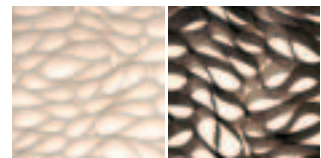
Clear plexi

## FILLING



fluo red strings

fluo green strings



white fabrics

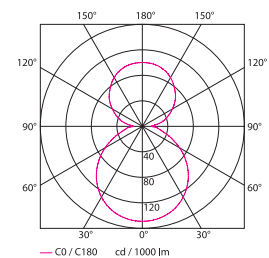
silver fabrics

PMMA | Metal

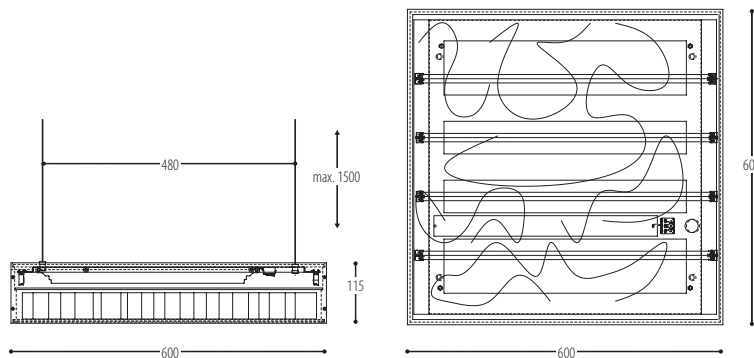
4x T16 (14 W) / G5



## POC 4x14W



Efficiency factor: 80,5%



**DARK®** <<<

www.dark.be

Dark nv  
Beversesteenweg 565 - 8800 Roeselare - Belgium  
tel +32(0)51/25.25.55 - fax +32(0)51/25.25.56  
e-mail info@dark.be

Dark has the right to change any technical data, dimensions, colors and characteristics without prior notice - All rights reserved - Any reproduction of the Dark products is strictly forbidden and can seriously damage your health and endanger your bank account.